

# SMR 8520 MG J

## Thru Beam

Standard, Photoelectric Sensors

**Compatible Transmitter:**

SMT 8000 MG J





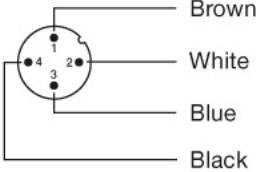
Product Data	
Function:	Receiver
Supply Voltage:	10 - 30 V dc
Light Source:	-
Housing Material:	Stainless Steel
Housing:	M18 x 1
Control Feature:	Sensitivity pot. and light/dark switch
Connection:	4 pin, M12 plug
Sensing Range:	20 m
Output:	PNP
Output Status:	N.C./N.O.
Operation Mode:	Thru Beam

Technical Data	
Supply Voltage:	10 - 30 V dc
Voltage Ripple:	15 %
Reverse Polarity Protected:	Yes
Short Circuit Protected:	Yes
Current Consumption:	5 mA
Max. Output Load:	120 mA / 30 V dc
Max. Residual Voltage:	1,5 V
Max. Operation Frequency:	100 Hz
Power On Indicator:	Green LED
Output Indicator:	Yellow LED
Hysteresis:	Approx. 10 - 30 %
Light Source:	-
Opening Angle:	+/- 6°
Emission Angle:	-
Cable:	3 x 0,14 mm <sup>2</sup>

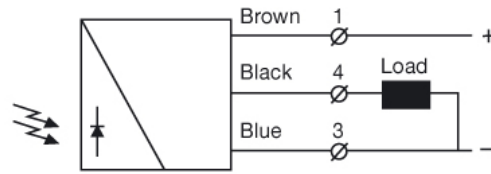
Response Time ton / toff:	5 ms / 5 ms
Housing Material Sensor Housing:	Stainless Steel (AISI 316 / 1.4401)
Housing Material Lens Cover:	Polycarbonate
Cable Sleeve:	PVC Ø 4,0 mm
Test Input:	-
Control Input:	-

Environmental Data	
Vibration:	10 - 55 Hz, 0,5 mm
Shock:	30 g
Operation Temperature:	-20 to +60 °C
Storage Temperature:	-40 to +80 °C
Sealing Class:	IP 67
Light Immunity 5°:	> 10 000 lux
Light Immunity 15°:	-

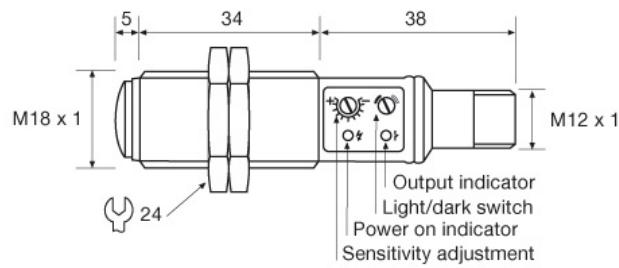
Approvals


Connections
<p><b>4 pin, M12</b></p> <div style="display: flex; justify-content: space-around; align-items: flex-start;"> <div style="text-align: center;"> <p>Sensor Plug (Male)</p>  </div> <div style="text-align: center;"> <p>Cable Plug (Female)</p>  </div> </div>

Wiring Diagram

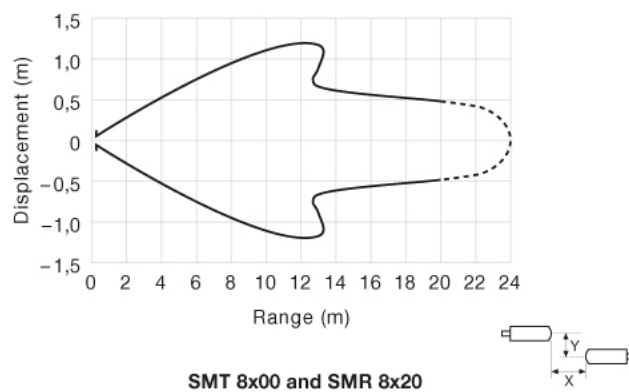


Dimensions

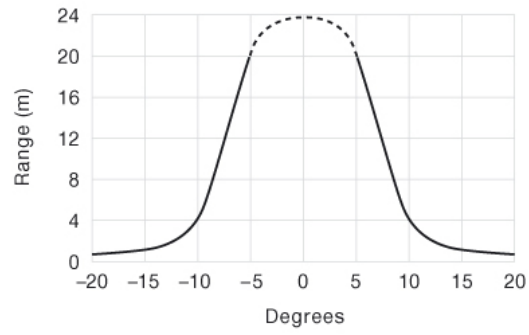


Sensing Characteristics

Parallel Displacement



## Angular Displacement



SMR 8x20

